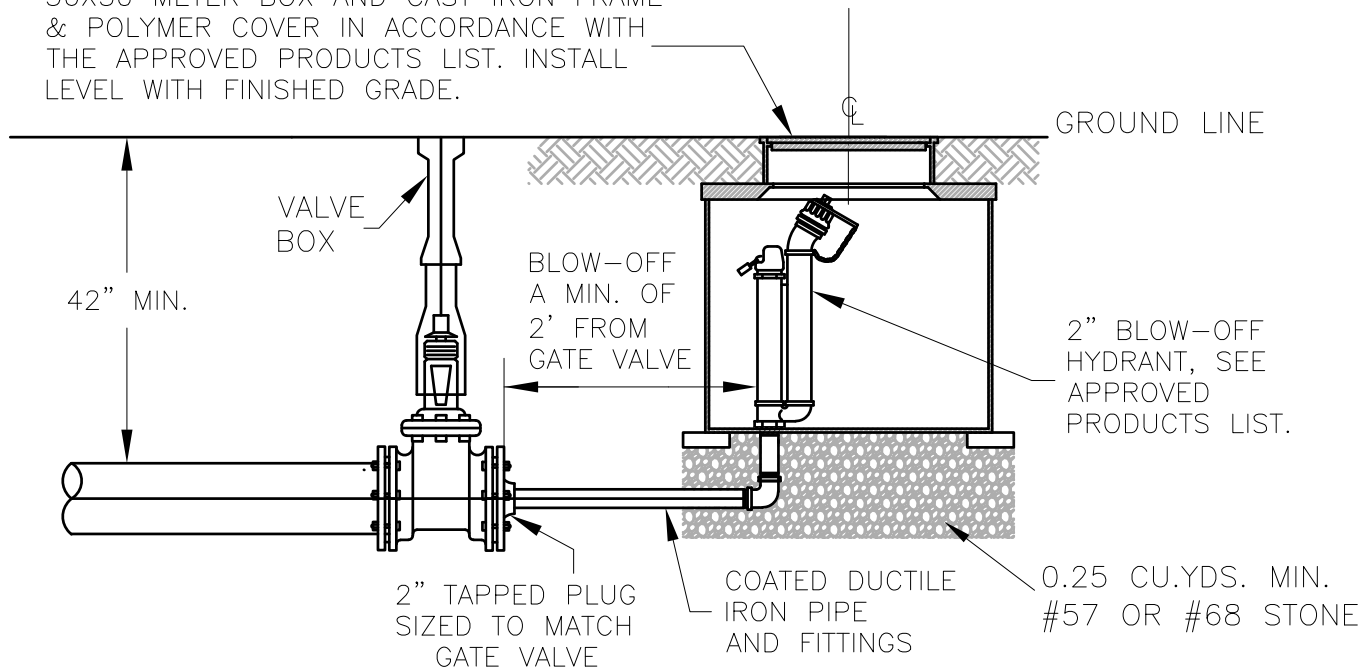
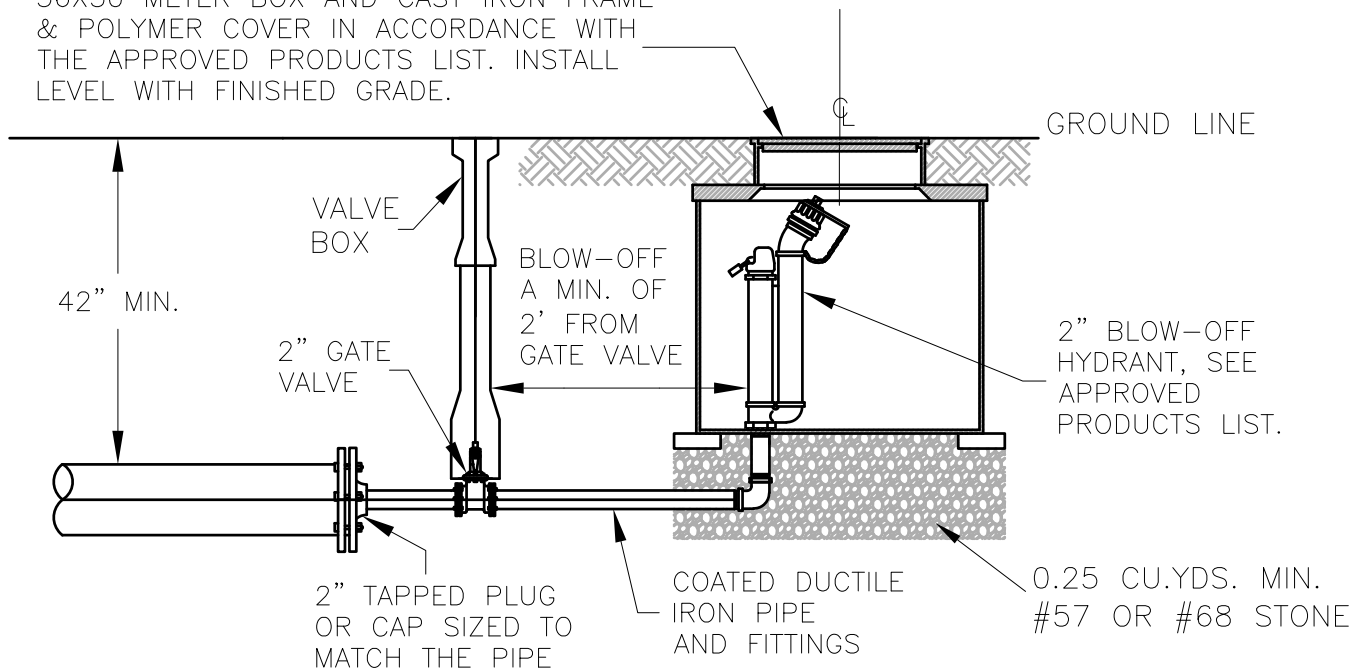


36X30 METER BOX AND CAST IRON FRAME & POLYMER COVER IN ACCORDANCE WITH THE APPROVED PRODUCTS LIST. INSTALL LEVEL WITH FINISHED GRADE.



36X30 METER BOX AND CAST IRON FRAME & POLYMER COVER IN ACCORDANCE WITH THE APPROVED PRODUCTS LIST. INSTALL LEVEL WITH FINISHED GRADE.



NOTE:  
IF DRAIN HOLE WILL BE BELOW GROUND WATER LEVELS, CONTRACTOR SHALL CONSULT ON-SITE REPRESENTATIVE PRIOR TO INSTALLATION.

**AUGUSTA COUNTY SERVICE AUTHORITY  
VERONA, VIRGINIA**

SCALE: NTS

DRAWN BY: ACSA

DATE: NOV. 2020

REVISED:

**TYPICAL BLOW-OFF ASSEMBLY  
AT END OF GATE VALVE OR PIPE**

DRAWING NUMBER: W-3A

PAGE: 1 OF 1