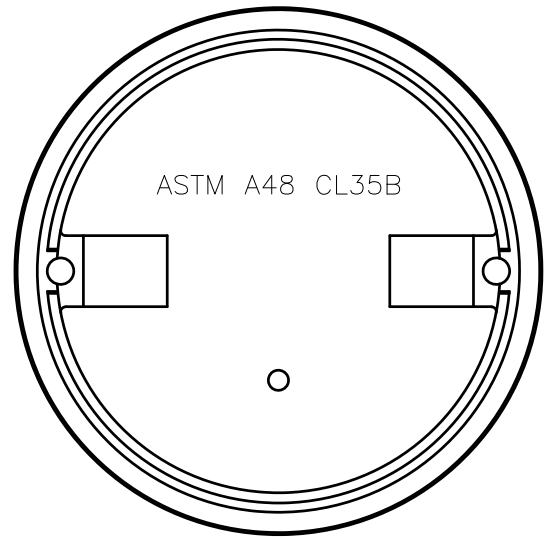
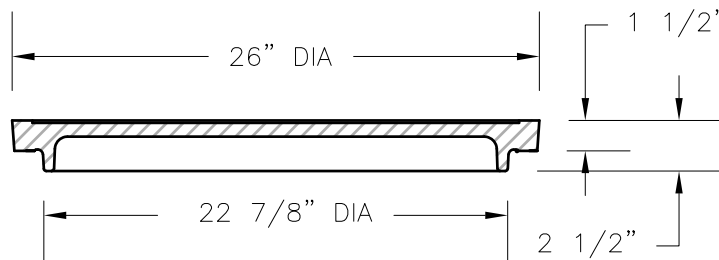


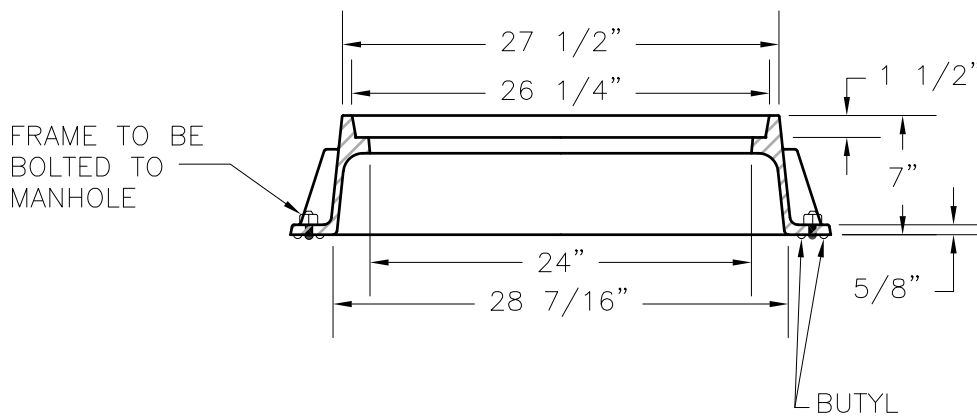
TOP OF FRAME & COVER



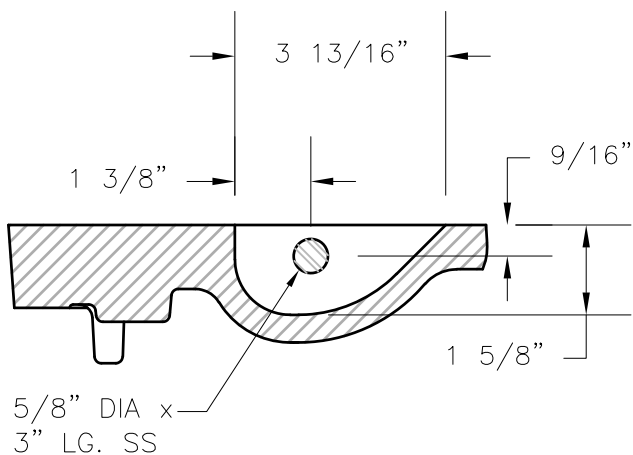
BOTTOM OF FRAME & COVER



COVER SECTION



FRAME SECTION



PICKBAR DETAIL

AUGUSTA COUNTY SERVICE AUTHORITY
VERONA, VIRGINIA

SCALE: NTS

DRAWN BY: ACSA

DATE: MAR. 1996

REVISED: APRIL 2021

TYPICAL MANHOLE FRAME & COVER

DRAWING NUMBER: S-7

PAGE: 1 OF 1