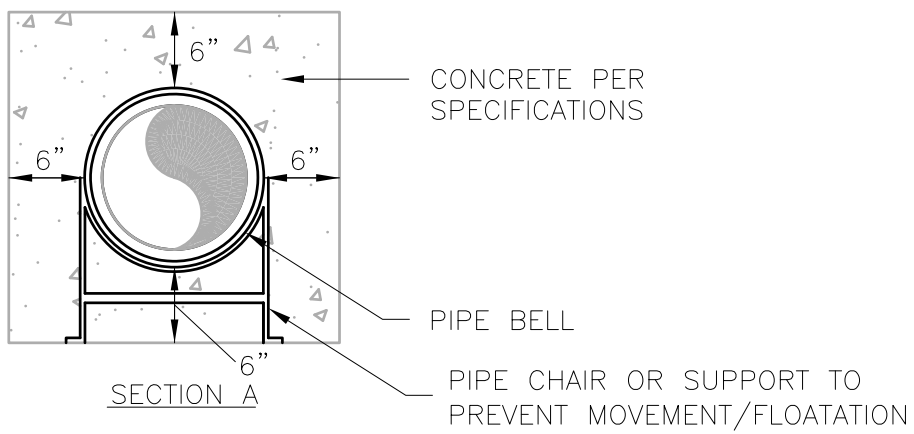


PLAN



NOTES:
 ALL JOINTS IN ENCASEMENT SHALL BE
 MECHANICALLY RESTRAINED

AUGUSTA COUNTY SERVICE AUTHORITY VERONA, VIRGINIA	
SCALE: NTS	DRAWN BY: ACSA
DATE: AUG. 2004	REVISED: APRIL 2021
TYPICAL CONCRETE ENCASEMENT	
DRAWING NUMBER: G-6	PAGE: 1 OF 1